

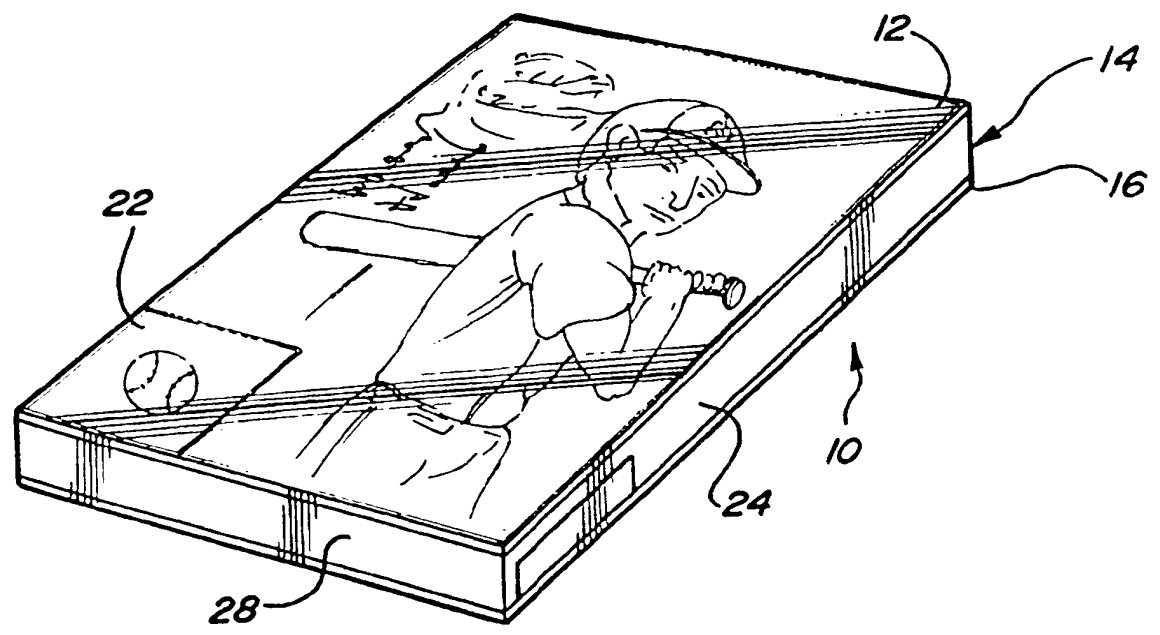


INTERNATIONAL APPLICATION PUBLISHED UNDER THE PATENT COOPERATION TREATY (PCT)

(51) International Patent Classification 6 : G09F 1/00, 1/12, 27/00, G11B 31/00	A1	(11) International Publication Number: WO 96/02047 (43) International Publication Date: 25 January 1996 (25.01.96)
---	-----------	--

(21) International Application Number: PCT/US95/08650	(81) Designated States: AM, AT, AU, BB, BG, BR, BY, CA, CH, CN, CZ, DE, DK, EE, ES, FI, GB, GE, HU, JP, KE, KG, KP, KR, KZ, LK, LR, LT, LU, LV, MD, MG, MN, MW, MX, NO, NZ, PL, PT, RO, RU, SD, SE, SI, SK, TJ, TT, UA, UZ, VN, European patent (AT, BE, CH, DE, DK, ES, FR, GB, GR, IE, IT, LU, MC, NL, PT, SE), OAPI patent (BF, BJ, CF, CG, CI, CM, GA, GN, ML, MR, NE, SN, TD, TG), ARIPO patent (KE, MW, SD, SZ, UG).
(22) International Filing Date: 11 July 1995 (11.07.95)	
(30) Priority Data: 08/273,715 12 July 1994 (12.07.94) US	
(71) Applicant: THE THING TANK [US/US]; 31620 Grand River, Farmington, MI 48336 (US).	
(72) Inventors: PILIPCHUK, William, C.; 2506 John R., Troy, MI 48083 (US). PILIPCHUK, Susan, M.; 2506 John R., Troy, MI 48083 (US). DUQUET, Charles, E.; 31620 Grand River, Farmington, MI 48336 (US).	
(74) Agents: TAYLOR, W., R., Duke et al.; Harness, Dickey & Pierce, p.l.c., P.O. Box 828, Bloomfield Hills, MI 48303 (US).	<p>Published <i>With international search report.</i></p>

(54) Title: AUDIBLE TRADING CARD



(57) Abstract

A trading card (10) has a housing (14) and an image displayed on one of the housing surfaces. A switch (22) is on the housing which, when activated, activates a mechanism for storing and playing a recording of an event associated with the image through a speaker (48) in the housing which provides an audible sound recording of an event associated with the image.

FOR THE PURPOSES OF INFORMATION ONLY

Codes used to identify States party to the PCT on the front pages of pamphlets publishing international applications under the PCT.

AT	Austria	GB	United Kingdom	MR	Mauritania
AU	Australia	GE	Georgia	MW	Malawi
BB	Barbados	GN	Guinea	NE	Niger
BE	Belgium	GR	Greece	NL	Netherlands
BF	Burkina Faso	HU	Hungary	NO	Norway
BG	Bulgaria	IE	Ireland	NZ	New Zealand
BJ	Benin	IT	Italy	PL	Poland
BR	Brazil	JP	Japan	PT	Portugal
BY	Belarus	KE	Kenya	RO	Romania
CA	Canada	KG	Kyrgyzstan	RU	Russian Federation
CF	Central African Republic	KP	Democratic People's Republic of Korea	SD	Sudan
CG	Congo	KR	Republic of Korea	SE	Sweden
CH	Switzerland	KZ	Kazakhstan	SI	Slovenia
CI	Côte d'Ivoire	LI	Liechtenstein	SK	Slovakia
CM	Cameroon	LK	Sri Lanka	SN	Senegal
CN	China	LU	Luxembourg	TD	Chad
CS	Czechoslovakia	LV	Larvia	TG	Togo
CZ	Czech Republic	MC	Monaco	TJ	Tajikistan
DE	Germany	MD	Republic of Moldova	TT	Trinidad and Tobago
DK	Denmark	MG	Madagascar	UA	Ukraine
ES	Spain	ML	Mali	US	United States of America
FI	Finland	MN	Mongolia	UZ	Uzbekistan
FR	France			VN	Viet Nam
GA	Gabon				

AUDIBLE TRADING CARDBACKGROUND AND SUMMARY OF THE INVENTION

The present invention relates to trading cards such as baseball, football, basketball or the like and, more particularly, to trading cards which generate an audible highlight of the player depicted on the trading card.

Trading cards and particularly baseball trading cards, date back to the late 1800's when trading cards accompanied tobacco products. Through the years, trading cards have been sold with chewing gum. However, as the number of collectors and the demand has increased, trading cards are separately packaged and sold by themselves. A number of traders and dealers exists which sell individual cards of various players of specific years. Thus, there is a demand for trading cards and also for new ways of promoting them.

Ordinarily, a trading card, being a rectangular paperboard sheet, has a picture of the player on the front and his statistics on the back of the card. Various attempts have been made at altering this format, all with varied success. Different types of holographic or three dimensional cards have been manufactured in the past. Also, attempts have been made to have a card which is passed through a card reading machine which provides audible statistics of the player on the card. However, it appears that trading card enthusiasts and collector returns to the paperboard trading cards. Thus, trading cards have not changed much, other than from engraved printed cards to color photographs cards, over the years.

Due to the stagnant state of the trading card field, which has exhibited little, if any, change over the years, there is a need to stimulate the trading card enthusiast and provide him with more variety. The present invention provides the art with a new trading card. The present invention provides a trading card which emits an audible voice of a career highlight of the depicted player. The present invention enables the user to actively interface with the

- 2 -

card by pressing a switch so that he can listen to a fantastic moment. While the present invention provides the collector with the usual information, it presents it in a high technology manner.

From the following detailed description taken in conjunction with the accompanying drawings and subjoined claims, other objects and advantages of the present invention will become apparent to those skilled in the art.

BRIEF DESCRIPTION OF THE DRAWINGS

Figure 1 is a perspective view of a trading card in accordance with the present invention.

Figure 2 is an exploded view of the trading card of Figure 1.

DETAILED DESCRIPTION OF THE PREFERRED EMBODIMENT

Turning to the figures, particularly Figure 1, a trading card is illustrated and designated with the reference numeral 10. The trading card 10 includes a front sheet 12, a housing 14 and a rear sheet 16.

The front sheet 12 may be a film or the like or it may be a paperboard card. The front sheet 12 includes an image such as a photograph of a player 20. Also, if the front sheet 12 is a membrane film, a membrane switch 22 is unitarily formed at a bottom corner of the sheet 12. The switch 22 may be outlined and include an icon representative of the sport of the player shown on the card. Such icons may be a baseball, football, basketball, golf ball or club, or hockey stick or puck. Also, a non-membrane switch, which may be spring loaded or may be of a touch switch type version, may be substituted for the membrane switch.

- 3 -

The housing 14 has an overall rectangular shape with longitudinal side edges 24, 26 and lateral side edges 28 and 30. The housing includes an internal wall 32 which divides and separates the housing into receiving areas for various components. The housing area 36 houses the battery pack 38. The battery pack 38 is coupled on a pull out tray 39 to enable replacement of the batteries 41. Detentes 43 on the tray 39 or housing hold the tray within grooves 45 of the housing. The housing area 40 houses the portion of the switch 43 which is connected with the circuit board 44. The housing also includes a speaker portion 46 which houses the speaker 48. The speaker 48 includes leads 49 which electrically couple the speaker with the circuit board 44, which in turn is electrically coupled to the switch, which in turn is electrically coupled with the battery pack 38.

The circuit board 44 includes voice synthesized chips which store an audible voice of one or more highlight events associated with the career of the image 20 on the front sheet 12. The switch 43 is activated via pressing the switch 22, which causes the audible voice to be played through the speaker 48.

The rear sheet 16 is secured to the bottom of the housing 14. The rear sheet 16 includes indicia 60 such as statistics or the like of the player's career, thus providing the trading card 10 with the overall appearance of a traditional trading card.

While the above detailed description describes the preferred embodiment of the present invention, the invention is susceptible to modification, variation, and alteration without deviating from the scope and fair meaning of the subjoined claims.

CLAIMS

1. An audible trading card comprising:
a card shaped housing having at least one display surface;
an image on said display surface;
a speaker in said housing for providing sound;
means for storing and playing a recording of an event associated with said image, said means for storing and playing associated with said speaker; and
means for activating said storage and playing means such that, upon activation, the recording is played and audible sound is heard from the speaker, said activating means on said housing such that said activating means is easily operated by a user.
2. The audible trading card according to claim 1 wherein said storing and playing means includes a battery power source.
3. The audible trading card according to claim 1 wherein said actuating means is a push button on the housing.
4. The audible trading card according to claim 3 wherein said push button is on said display surface of said housing.
5. The audible trading card according to claim 4 wherein said push button is designed to simulate equipment associated with the image's field.

- 5 -

6. The audible trading card according to claim 5 wherein said push button simulates a baseball or bat, football, basketball, soccer ball, hockey puck or stick, golf ball or club, or the like.

7. The audible trading card according to claim 1 wherein said housing includes a second display surface opposing said first display surface.

8. The audible trading card according to claim 7 wherein said second display surface includes indicia associated with the image's field.

9. The audible trading card according to claim 1 wherein said housing has an overall box shape with two opposing display surfaces and longitudinal and lateral side edges.

10. The audible trading card according to claim 9 wherein said actuating means is on a side edge.

11. The audible trading card according to claim 1 wherein said storing and playing means is positioned within said housing.

12. The audible trading card according to claim 1 wherein said trading card is a self contained unit.

13. The audible trading card according to claim 1 wherein said image is on a membrane and said membrane includes activating means.

- 6 -

14. A method of playing a recording associated with a trading card, comprising:
providing a trading card having means for storing and playing a recording of
an event, and an activating means coupled with said storing and playing means;

actuating said activating means such that said storing and playing means
generates an audible signal which may be heard by the user.

15. The method according to claim 14 and repeatedly actuating said activating
means to replay said audible signal.

1/1

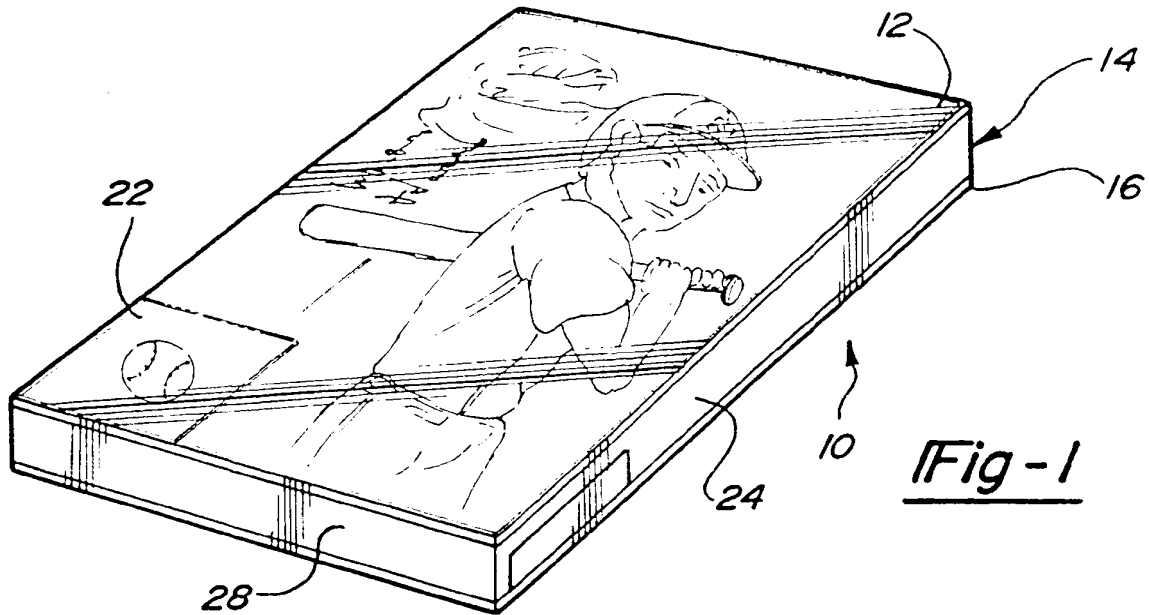


Fig - 1

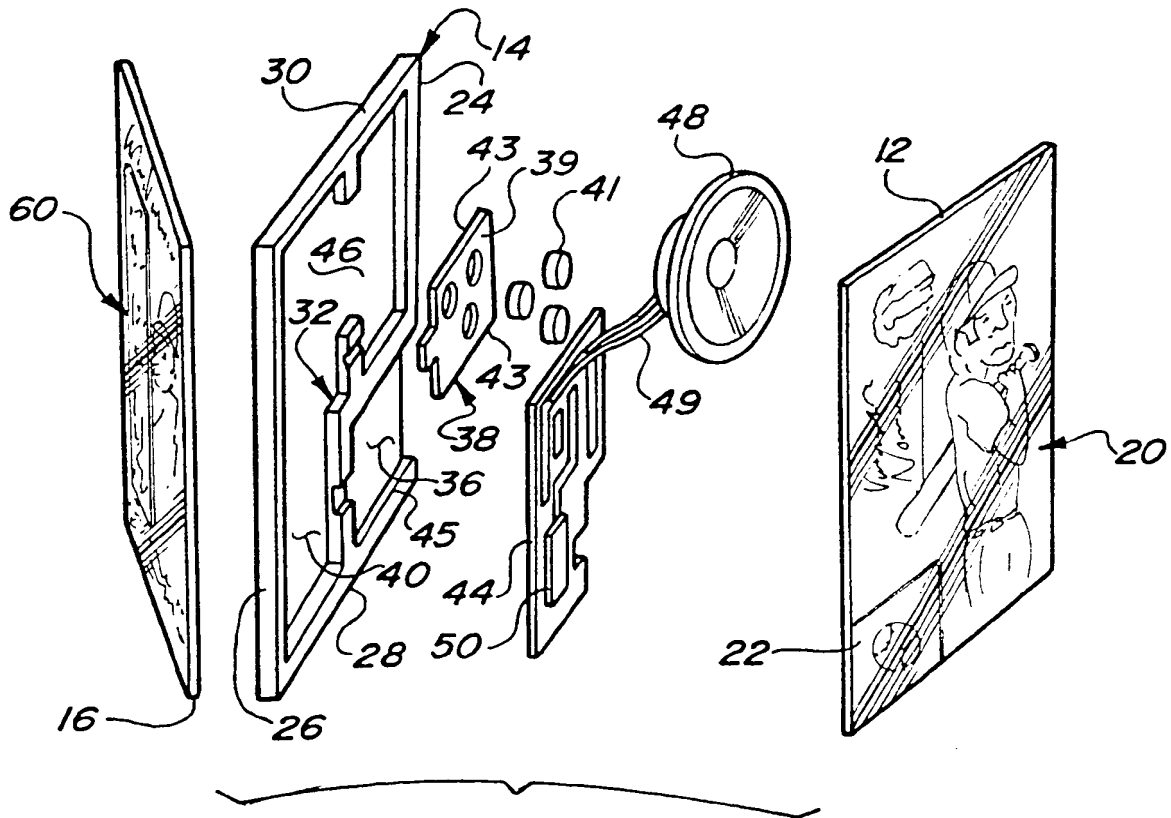


Fig - 2

SUBSTITUTE SHEET (RULE 26)

INTERNATIONAL SEARCH REPORT

International application No.
PCT/US95/08650

A. CLASSIFICATION OF SUBJECT MATTER
 IPC(6) : G09F 1/00, 1/12, 27/00; G11B 31/00
 US CL : 40/124.1, 455; 369/63
 According to International Patent Classification (IPC) or to both national classification and IPC

B. FIELDS SEARCHED
 Minimum documentation searched (classification system followed by classification symbols)
 U.S. : 40/124.1, 455, 152; 369/63, 64, 69, 70

Documentation searched other than minimum documentation to the extent that such documents are included in the fields searched

Electronic data base consulted during the international search (name of data base and, where practicable, search terms used)


C. DOCUMENTS CONSIDERED TO BE RELEVANT

Category*	Citation of document, with indication, where appropriate, of the relevant passages	Relevant to claim No.
X, E	US, A, 5,433,035 (BAUER) 18 July 1995, figure 2	1-15
X, P	US, A, 5,387,108 (CROWELL) 07 February 1995, figures 1-22	1-7, 7, 9, 11-15
X -Y	US, A, 4,791,741 (KONDO) 20 December 1988, figures 2-4	1-3, 7-12, 14, 15 <hr/> 4-6, 13
X -Y	CHIPCODER, Hallmark Greeting Card, Inc., Information Storage Devices, Inc., 1993, see Exhibits A-D	1-3, 7-12, 14, 15 <hr/> 4-6, 13
Y	US, A, 5,063,698 (JOHNSON ET AL.) 12 November 1991, figure 1	4-6, 13

Further documents are listed in the continuation of Box C. See patent family annex.

* Special categories of cited documents:	T* later document published after the international filing date or priority date and not in conflict with the application but cited to understand the principle or theory underlying the invention
A document defining the general state of the art which is not considered to be of particular relevance	X* document of particular relevance; the claimed invention cannot be considered novel or cannot be considered to involve an inventive step when the document is taken alone
E earlier document published on or after the international filing date	Y* document of particular relevance; the claimed invention cannot be considered to involve an inventive step when the document is combined with one or more other such documents, such combination being obvious to a person skilled in the art
L document which may throw doubts on priority claim(s) or which is cited to establish the publication date of another citation or other special reason (as specified)	*Z* document member of the same patent family
O document referring to an oral disclosure, use, exhibition or other means	
P document published prior to the international filing date but later than the priority date claimed	

Date of the actual completion of the international search 17 AUGUST 1995	Date of mailing of the international search report 29 AUG 1995
---	--

Name and mailing address of the ISA/US Commissioner of Patents and Trademarks Box PCT Washington, D.C. 20231 Facsimile No. (703) 305-3230	Authorized officer  JAMES O. HANSEN Telephone No. (703) 308-2168
--	---

INTERNATIONAL SEARCH REPORT

International application No.
PCT/US95/08650

C (Continuation). DOCUMENTS CONSIDERED TO BE RELEVANT

Category*	Citation of document, with indication, where appropriate, of the relevant passages	Relevant to claim No.
Y	US,A, 4,866,865 (YANG) 19 September 1989, figure 1	1,2
Y	GB,A, 2,155,858 (WANG) 02 October 1985, figure 2	1,2
A	US,A, 4,703,573 (MONTGOMERY ET AL) 03 November 1987, figures 2-3B	13
A	US,A, 4,531,310 (ACSON ET AL) 30 July 1985, figure 4	1
A,P	US,A, 5,365,686 (SCOTT) 22 November 1994, figures 1-6	1



100